

D-FS010LDA 系列直流漏电流传感器

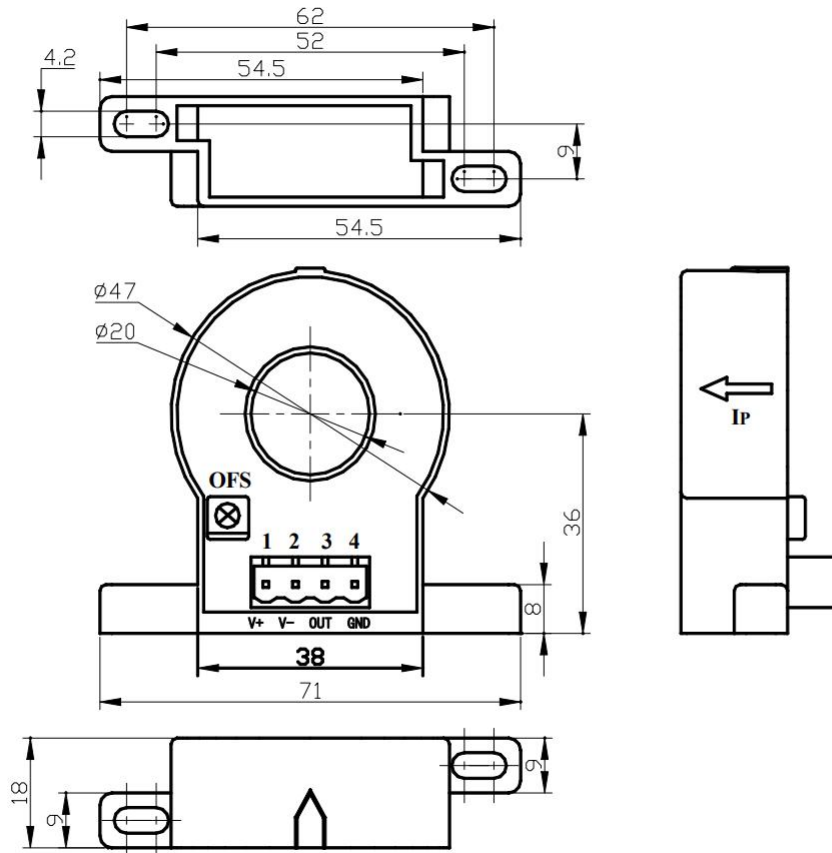


应用磁调制原理研制而成的一种新型电流传感器，能在电隔离条件下测量 mA 级直流小信号的电流。

A new type of current sensor based on the principle of magnetic modulation, which can measure the current of mA level small signal DC under the condition of electrical isolation.

电参数/Electrical characteristics						
	型号 Type	D-FS010LDA	D-FS020LDA	D-FS050LDA	D-FS100LDA	
I_{PN}	原边额定输入电流 Primary nominal input current	10	20	50	100	mA
I_P	原边电流测量范围 Measuring range of primary current	0~±120%				mA
V_{OUT}	副边额定输出电压 Nominal output voltage	5±1%				V
V_C	电源电压 Supply voltage	±12~±15 (±5%)				V
I_C	电流消耗 Current consumption	$V_C=±15V$	<30			mA
V_d	绝缘电压 Insulation voltage	在原边与副边电路之间 3kV 有效值/50Hz/1 分钟 3kV RMS /50Hz/1 min between primary and secondary side circuits				
ϵ_L	线性度 Linearity	<±1				%FS
V_0	零点失调电压 Zero offset voltage	$T_A=25^\circ C$	±50			mV
V_{OT}	失调电压温漂 Offset voltage temperature drift	$I_P=0$ $T_A=-10\sim+70^\circ C$	<±1			mV/°C
f	频带宽度 Band width	DC				
T_A	工作环境温度 Ambient operating temperature	-10~+70				°C
T_S	贮存环境温度 Ambient storage temperature	-25~+85				°C
R_L	负载电阻 Load resistance	≥10K				Ω
m	重量 (约) Mass (approx.)	65				g
	标准 Standard	GI/FS-0105				

外形尺寸(mm)/Dimensions of drawing(mm)



引脚说明: 1,+15V 2,-15V 3,VOUT 4,0V(电源地) OFS,零点调节

Elucidation: 1,+15V 2,-15V 3,VOUT 4,0V(GND) OFS,Zero adjustment

使用说明/Remarks

- 错误的接线可能导致传感器损坏。传感器通电后，当被测电流从传感器箭头方向穿过，即可在输出端测得同相电压值。
Incorrect wiring may cause damage to the sensor. After the sensor is powered on, when the measured current passes through the arrow direction of the sensor, the in-phase voltage value can be measured at the output end.
- 传感器的输出幅度可根据用户需求进行适当的调节。
The output amplitude of the sensor can be adjusted according to the user's needs.
- 可按用户需求定制不同额定输入电流和输出电压的传感器。
Sensors with different rated input current and output voltage can be customized according to user requirements.